

## 8.8 T2000-36 Selcall Kit

The T2000-36 Selcall PCB plugs into an options connector on the top side of the logic PCB, and provides selective tone calling (Selcall) facilities for T2010, T2015, T2020 or T2050 model T2000 Series II radios.

This option allows selective individual or group calls within a fleet of radios, on channels that have Selcall programmed. Selcall parameters and features are set up and enabled during programming. Both Sigtec and International group formats are supported by the T2000-36 PCB.

The following topics are covered in this Section:

| <b>Section</b> | <b>Title</b>        | <b>Page</b> |
|----------------|---------------------|-------------|
| 8.8.1          | Components Required | 8.8.2       |
| 8.8.2          | Fitting             | 8.8.2       |
| 8.8.3          | PCB Information     | 8.8.4       |

## 8.8.1 Components Required

The T2000-36 Selcall kit contains the following components:

| Quantity | Description           |
|----------|-----------------------|
| 1        | T2000-36 PCB assembly |
| 12mm     | PVC foam tape         |

## 8.8.2 Fitting

- 1 Refer to Figure 8.8.1.

Remove the top cover of the radio by unscrewing the four cover screws, unscrew the logic PCB and fold-out.

Position the T2000-36 PCB as shown, and plug into the connector on the T2000 logic PCB:

| Model         | PCB IPN      | Connector Circuit Reference |
|---------------|--------------|-----------------------------|
| T2010 & T2015 | 220-01377-01 | P1                          |
| T2020 & T2050 | 220-01344-02 | #T3K44                      |

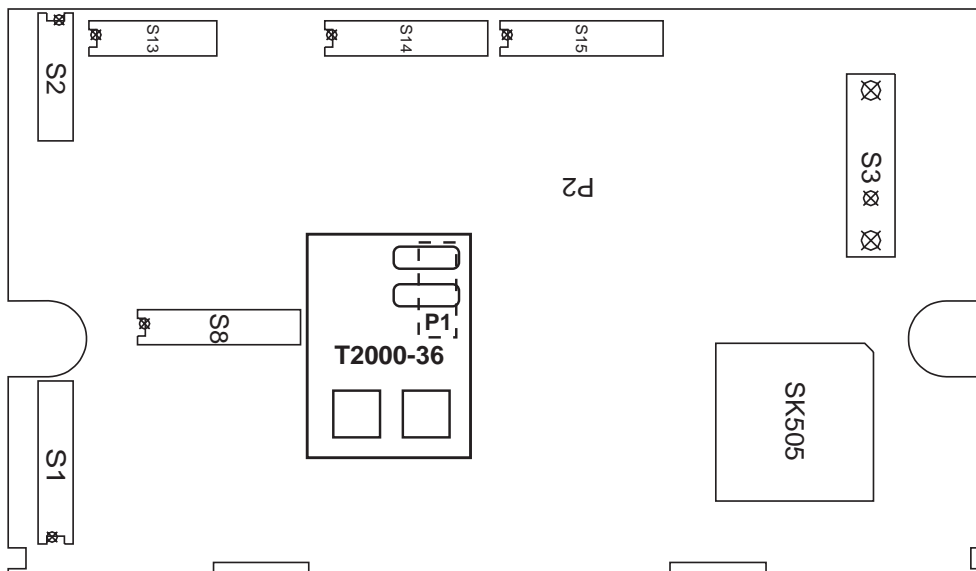


Figure 8.8.1 T2000-36 Selcall PCB Mounting

- 2** Position the foam tape provided on top of XL2, on the T2000-36 Selcall PCB.
- 3** Carefully fold the logic PCB back in position and secure using the three logic PCB retaining screws.  
Refit the top cover.
- 4** Refer to the T2000 Programming Software User's Manual (IPN 439-22000-02, or later) for set-up information.

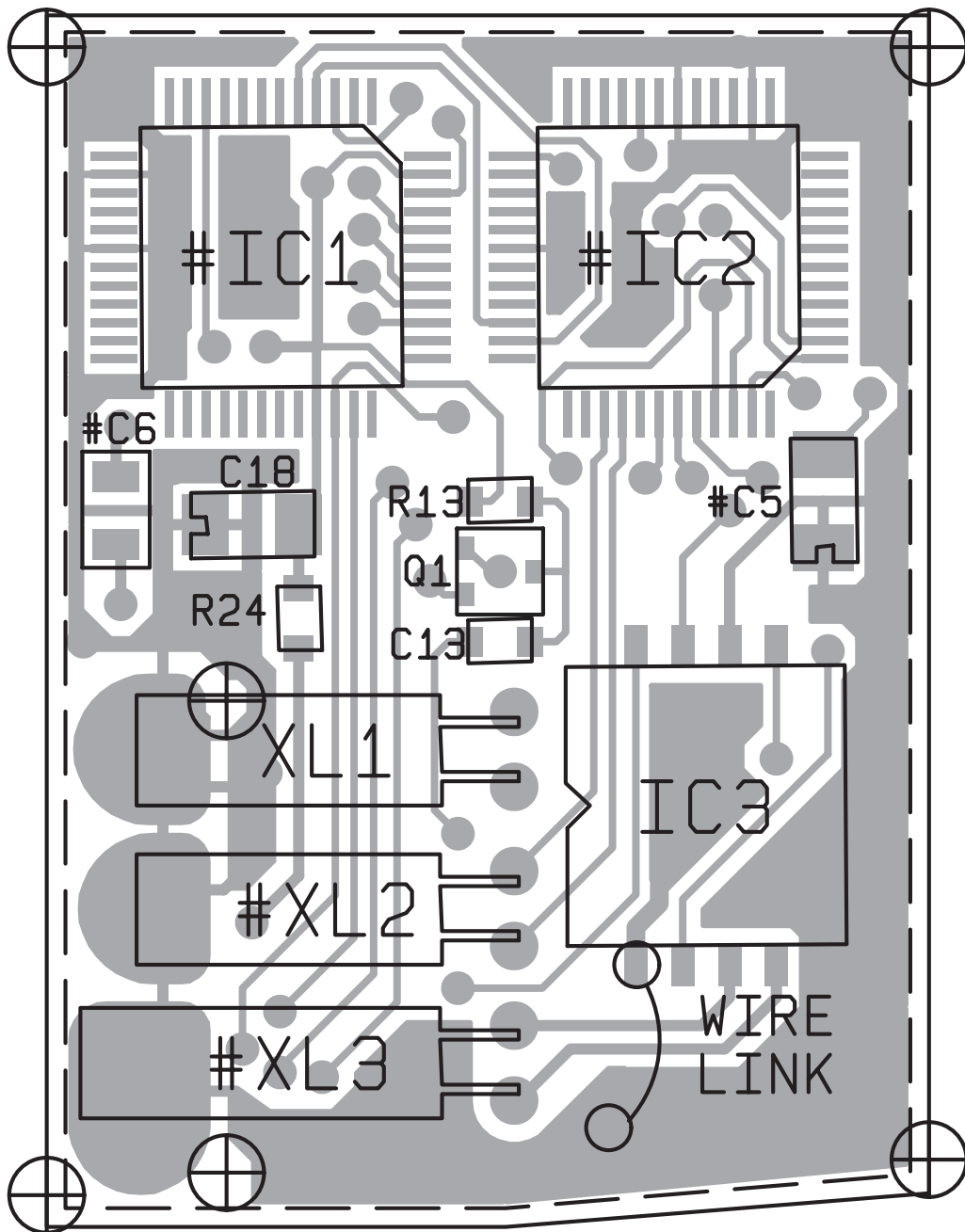
## 8.8.3 PCB Information

### T2000-36 Parts List (IPN 220-01313-02)

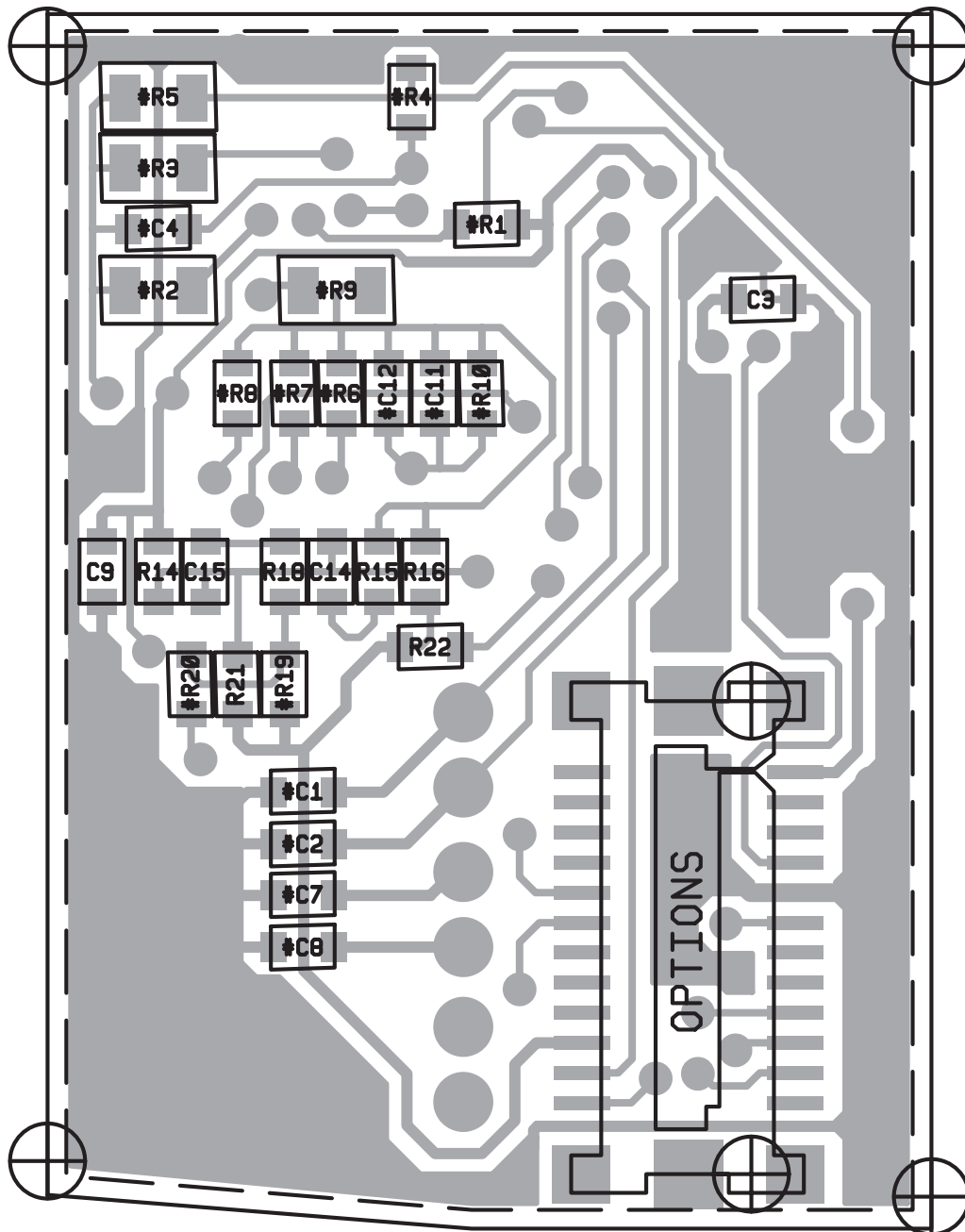
| Ref    | IPN          | Description                          | Ref | IPN | Description |
|--------|--------------|--------------------------------------|-----|-----|-------------|
| #C1    | 018-12330-00 | CAP 0603 CHIP 33P 50V NPO +-5%       |     |     |             |
| #C2    | 018-12150-00 | CAP 0603 CHIP 15P 50V NPO +-5%       |     |     |             |
| C3     | 018-15100-00 | CAP 0603 CHIP 10N 50V X7R +-10%      |     |     |             |
| #C4    | 018-14100-00 | CAP 0603 CHIP 1N 50V X7R +-10%       |     |     |             |
| #C5    | 014-06470-00 | CAP TANT CHIP 470N 25V +-20% 6X3     |     |     |             |
| #C6    | 015-24220-08 | CAP CER 0805 CHIP 2N2 10% X7R 50V    |     |     |             |
| #C7    | 018-12330-00 | CAP 0603 CHIP 33P 50V NPO +-5%       |     |     |             |
| #C8    | 018-12150-00 | CAP 0603 CHIP 15P 50V NPO +-5%       |     |     |             |
| C9     | 018-15100-00 | CAP 0603 CHIP 10N 50V X7R +-10%      |     |     |             |
| #C11   | 018-15100-00 | CAP 0603 CHIP 10N 50V X7R +-10%      |     |     |             |
| #C12   | 018-15100-00 | CAP 0603 CHIP 10N 50V X7R +-10%      |     |     |             |
| C13    | 018-15100-00 | CAP 0603 CHIP 10N 50V X7R +-10%      |     |     |             |
| C14    | 018-16100-01 | CAP 0603 CHIP 100N +80-20% Y5V 16V   |     |     |             |
| C15    | 018-16100-01 | CAP 0603 CHIP 100N +80-20% Y5V 16V   |     |     |             |
| C18    | 014-06470-00 | CAP TANT CHIP 470N 25V +-20% 6X3     |     |     |             |
| #IC1   | 002-10001-02 | (L) IC SMD SIGTEC SD-12 SELCALL (PAI |     |     |             |
| #IC2   | 002-10001-01 | (L) IC SMD SIGTEC MD-09 SELCALL (PAI |     |     |             |
| OPTSKT | 240-10000-02 | CONN SMD 24WAY (SKT/CAP)             |     |     |             |
| Q1     | 000-10084-81 | (S) XSTR SMD BC848BWNPN SOT-323 S    |     |     |             |
| #R1    | 038-15470-00 | RES 0603 CHIP 47K 1/16W +-5%         |     |     |             |
| #R2    | 036-15330-00 | RES M/F 0805 CHIP 33K 5%             |     |     |             |
| #R3    | 036-16330-00 | RES M/F 0805 CHIP 330K 5%            |     |     |             |
| #R4    | 038-15470-00 | RES 0603 CHIP 47K 1/16W +-5%         |     |     |             |
| #R5    | 036-15820-00 | RES M/F 0805 CHIP 82K 5%             |     |     |             |
| #R6    | 038-14220-00 | RES 0603 CHIP 2K2 1/16W +-5%         |     |     |             |
| #R7    | 038-14470-00 | RES 0603 CHIP 4K7 1/16W +-5%         |     |     |             |
| #R8    | 038-15100-00 | RES 0603 CHIP 10K 1/16W +-5%         |     |     |             |
| #R9    | 036-15220-00 | RES M/F 0805 CHIP 22K 5%             |     |     |             |
| #R10   | 038-15470-00 | RES 0603 CHIP 47K 1/16W +-5%         |     |     |             |
| R13    | 038-15150-00 | RES 0603 CHIP 15K 1/16W +-5%         |     |     |             |
| R14    | 038-16100-00 | RES 0603 CHIP 100K 1/16W +-5%        |     |     |             |
| R15    | 038-15470-00 | RES 0603 CHIP 47K 1/16W +-5%         |     |     |             |
| R16    | 038-14220-00 | RES 0603 CHIP 2K2 1/16W +-5%         |     |     |             |
| R18    | 038-13470-00 | RES 0603 CHIP 470E 1/16W +-5%        |     |     |             |
| #R19   | 038-13470-00 | RES 0603 CHIP 470E 1/16W +-5%        |     |     |             |
| R21    | 038-15270-00 | RES 0603 CHIP 27K 1/16W +-5%         |     |     |             |
| R22    | 038-14330-00 | RES 0603 CHIP 3K3 1/16W +-5%         |     |     |             |
| R24    | 038-11470-00 | RES 0603 CHIP 4E7 1/16W +-5%         |     |     |             |
| #XL1   | 274-01064-00 | (L) XTAL 5.0125MHZ MINIATURE CYL     |     |     |             |
| #XL2   | 274-01065-00 | (L) XTAL 8.00MHZ MINIATURE CYL       |     |     |             |

### Mechanical & Miscellaneous Parts

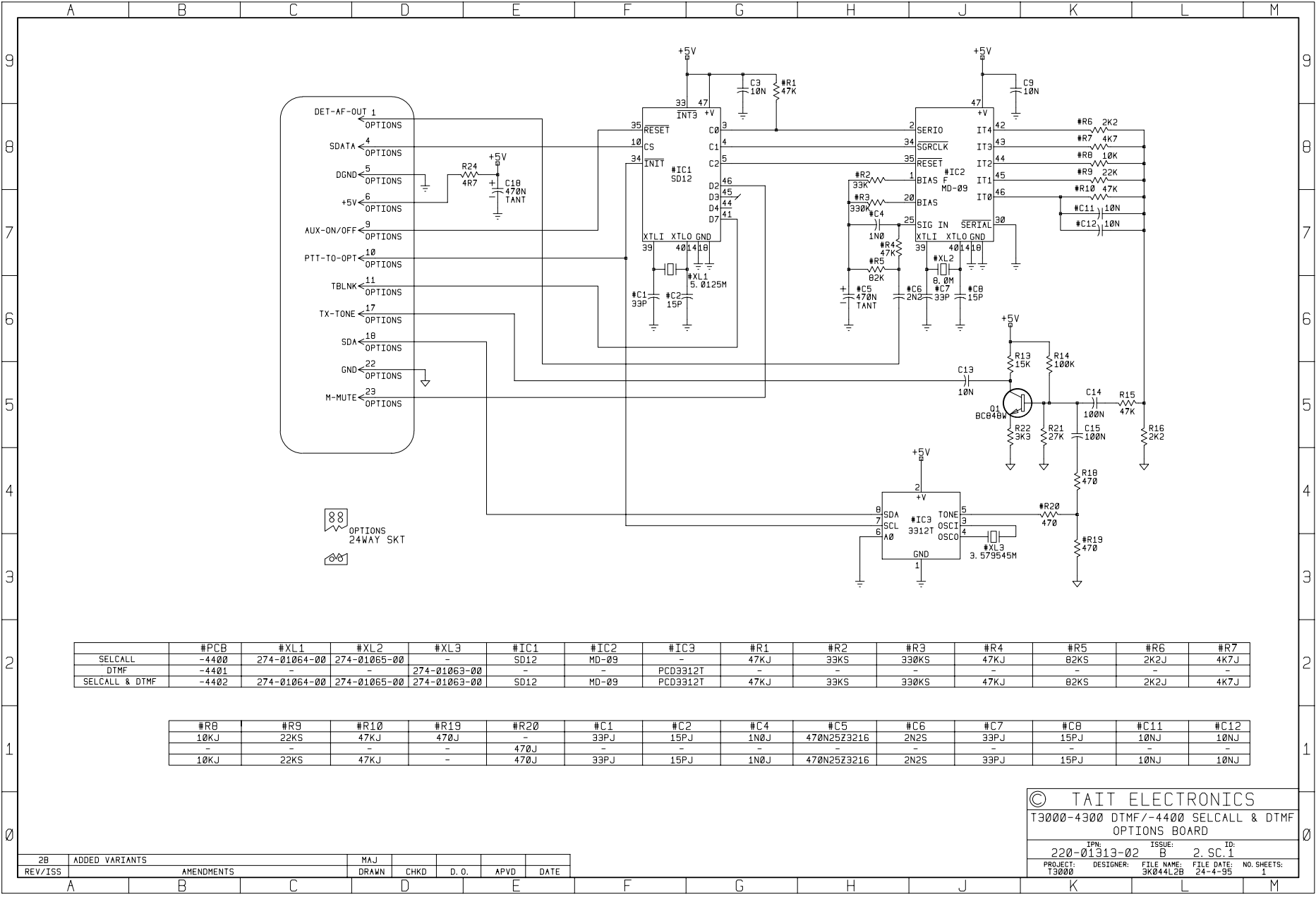
|              |  |
|--------------|--|
| 220-01313-02 | PCB T3000-4400 SELCALL AND DTMF OPTION BOARD |
| 369-00020-50 | TAPE SA TESAMOLL 5*3                         |



T2000-36 Selcall PCB (IPN 220-01313-02) - Top Side



T2000-36 Selcall PCB (IPN 220-01313-02) - Bottom Side



|                | #PCB  | #XL1         | #XL2         | #XL3         | #IC1 | #IC2  | #IC3     | #R1  | #R2  | #R3   | #R4  | #R5  | #R6  | #R7  |
|----------------|-------|--------------|--------------|--------------|------|-------|----------|------|------|-------|------|------|------|------|
| SELCALL        | -4400 | 274-01064-00 | 274-01065-00 | -            | SD12 | MD-09 | -        | 47KJ | 33KS | 330KS | 47KJ | 82KS | 2K2J | 4K7J |
| DTMF           | -4401 | -            | -            | 274-01063-00 | -    | -     | PCD3312T | -    | -    | -     | -    | -    | -    | -    |
| SELCALL & DTMF | -4402 | 274-01064-00 | 274-01065-00 | 274-01063-00 | SD12 | MD-09 | PCD3312T | 47KJ | 33KS | 330KS | 47KJ | 82KS | 2K2J | 4K7J |

| #R8  | #R9  | #R10 | #R19 | #R20 | #C1  | #C2  | #C4  | #C5         | #C6  | #C7  | #C8  | #C11 | #C12 |
|------|------|------|------|------|------|------|------|-------------|------|------|------|------|------|
| 10KJ | 22KS | 47KJ | 470J | -    | 33PJ | 15PJ | 10NJ | 470N25Z3216 | 2N2S | 33PJ | 15PJ | 10NJ | 10NJ |
| -    | -    | -    | -    | 470J | -    | -    | -    | -           | -    | -    | -    | -    | -    |
| 10KJ | 22KS | 47KJ | -    | 470J | 33PJ | 15PJ | 10NJ | 470N25Z3216 | 2N2S | 33PJ | 15PJ | 10NJ | 10NJ |

© TAIT ELECTRONICS  
 T3000-4300 DTMF/-4400 SELCALL & DTMF  
 OPTIONS BOARD

|              |           |             |
|--------------|-----------|-------------|
| IPN:         | ISSUE:    | ID:         |
| 220-01313-02 | B         | 2. SC.1     |
| PROJECT:     | DESIGNER: | FILE NAME:  |
| T3000        | 3K244L2B  | 24-4-95     |
|              |           | NO. SHEETS: |
|              |           | 1           |

| 2B      | ADDED VARIANTS | MAJ   | CHKD | D. O. | APVD | DATE |
|---------|----------------|-------|------|-------|------|------|
| REV/ISS | AMENDMENTS     | DRAWN |      |       |      |      |

